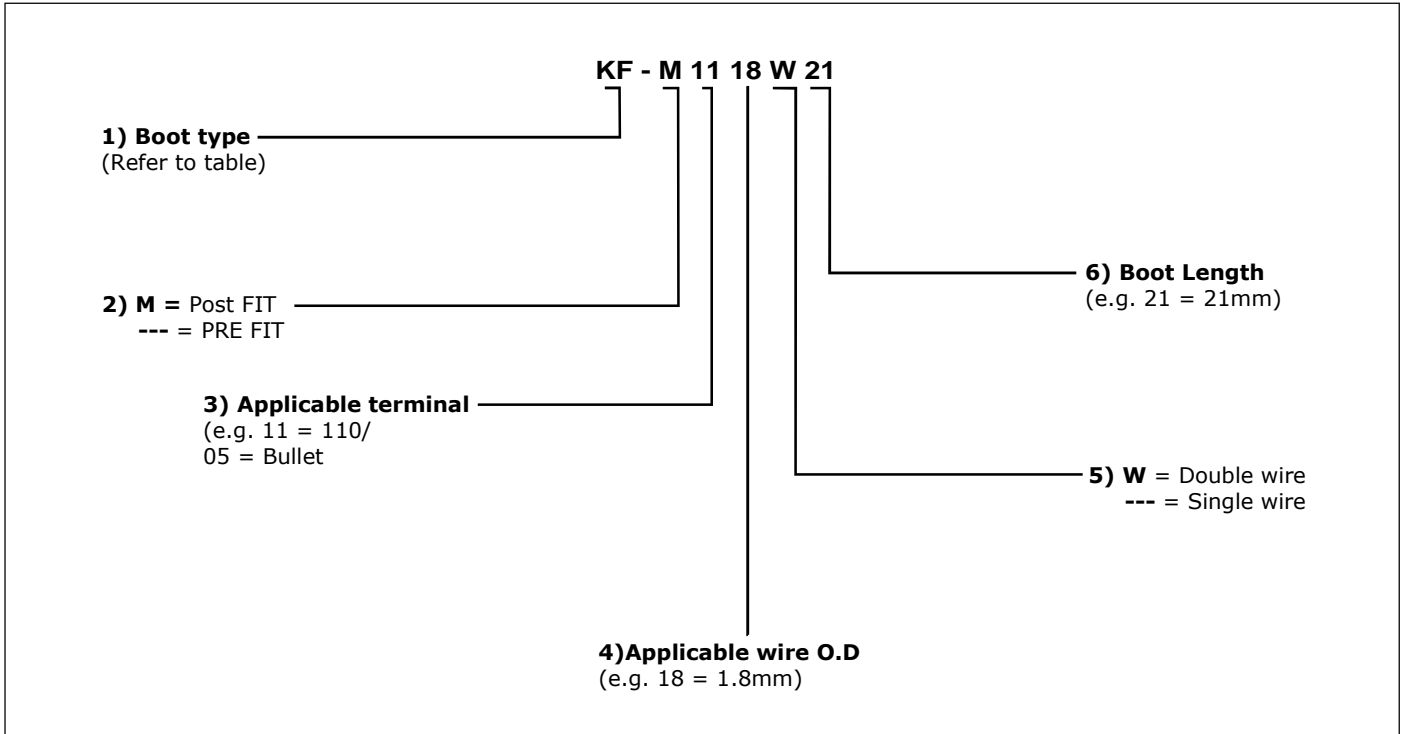




# INSULATION SLEEVES

## Model number identification



### Boot Type

Part Name	KF/KFH/KFO	KFF/KFFH/KFFO	KP/KPH/KPO	KS/KSH/KSO
Applicable Terminals	STRAIGHT Terminals (e.g. STO)	FLAG Terminals (e.g. SFO)	MALE BULLET Terminals (e.g. SGM)	FEMALE BULLET Terminals (e.g. SGF)

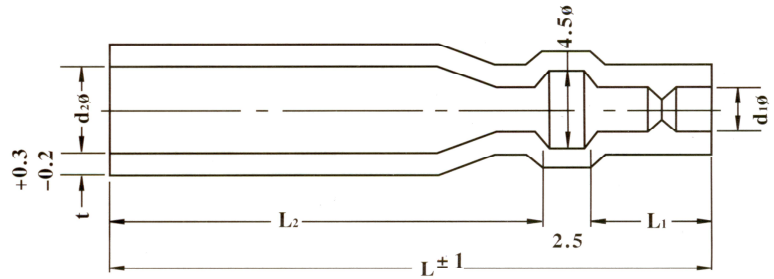
### Material Data

Part Name	KF/KFF/KS/KP	KFH/KFFH/KSH/KPH	KFO/KFFO/KSO/KPO
Material Type	PVC SH-108VT	PVC X-731TJ	PVC No. 4
Burn Rate	JIS K7201	UL94V-2	UL94V-0
Max. Voltage Rating	300 V	600 V	600 V
Temperature Range	-40℃ ~ 60℃	-30℃ ~ 105℃	-30℃ ~ 60℃
Max. Voltage	17.1 KV	13.7 KV	25.8 KV
Durability (10KV)	3.00 Seconds	3.00 Seconds	12.00 Seconds
Max. Elongation	400%	310%	220%
Harness (Durometer A Type)	63 ~ 65	63 ~ 65	67 ~ 70
UL Card No.	E64155 (S)	E64155 (S)	E64155 (S)



# INSULATION SLEEVES

## Female Bullet Type <KS Version>

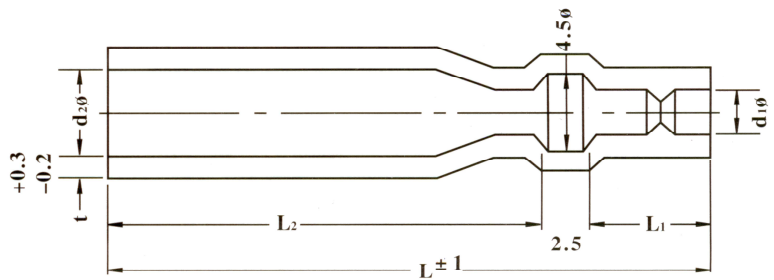


E64155 (S)

Model No.	Dimensions(mm)						Wire O.D. (mm)
	d1Ø	d2Ø	L1	L2	L+/-1	T +0.3/-0.2	
KS-052534	2.5	5	7	24.5	34	1	2.7~2.4mm
KS-052834	2.8	5	7	24.5	34	1	2.4~2.7mm
KS-053034	3.0	5	7	24.5	34	1	2.7~2.9mm
KS-053234	3.2	5	7	24.5	34	1	2.9~3.1mm
KS-053534	3.5	5	7	24.5	34	1	3.1~3.4mm

Note: 1) Delivery lead times may vary depending on the product. Contact JST for details, these products are ONLY available from the following JST affiliates; J.S.T. (U.K.) Ltd, J.S.T. Belgium N.V., J.S.T. India Liaison Office, and JST-SouthAfrica.com.  
 2) In line with a policy of continual product development, JST reserves the right to change the specifications of the goods described in the catalogue At any time and without prior notice.

## Female Bullet Type <KS-W Version>



E64155 (S)

Model No.	Dimensions(mm)						Wire O.D. (mm)
	d1Ø	d2Ø	L1	L2	L+/-1	T +0.3/-0.2	
KS-0525W34	2.5	5	7	24.5	34	1	~
KS-0532W34	3.2	5	7	24.5	34	1	~

Note: 1) Delivery lead times may vary depending on the product. Contact JST for details, these products are ONLY available from the following JST affiliates; J.S.T. (U.K.) Ltd, J.S.T. Belgium N.V., J.S.T. India Liaison Office, and JST-SouthAfrica.com.  
 2) In line with a policy of continual product development, JST reserves the right to change the specifications of the goods described in the catalogue At any time and without prior notice.